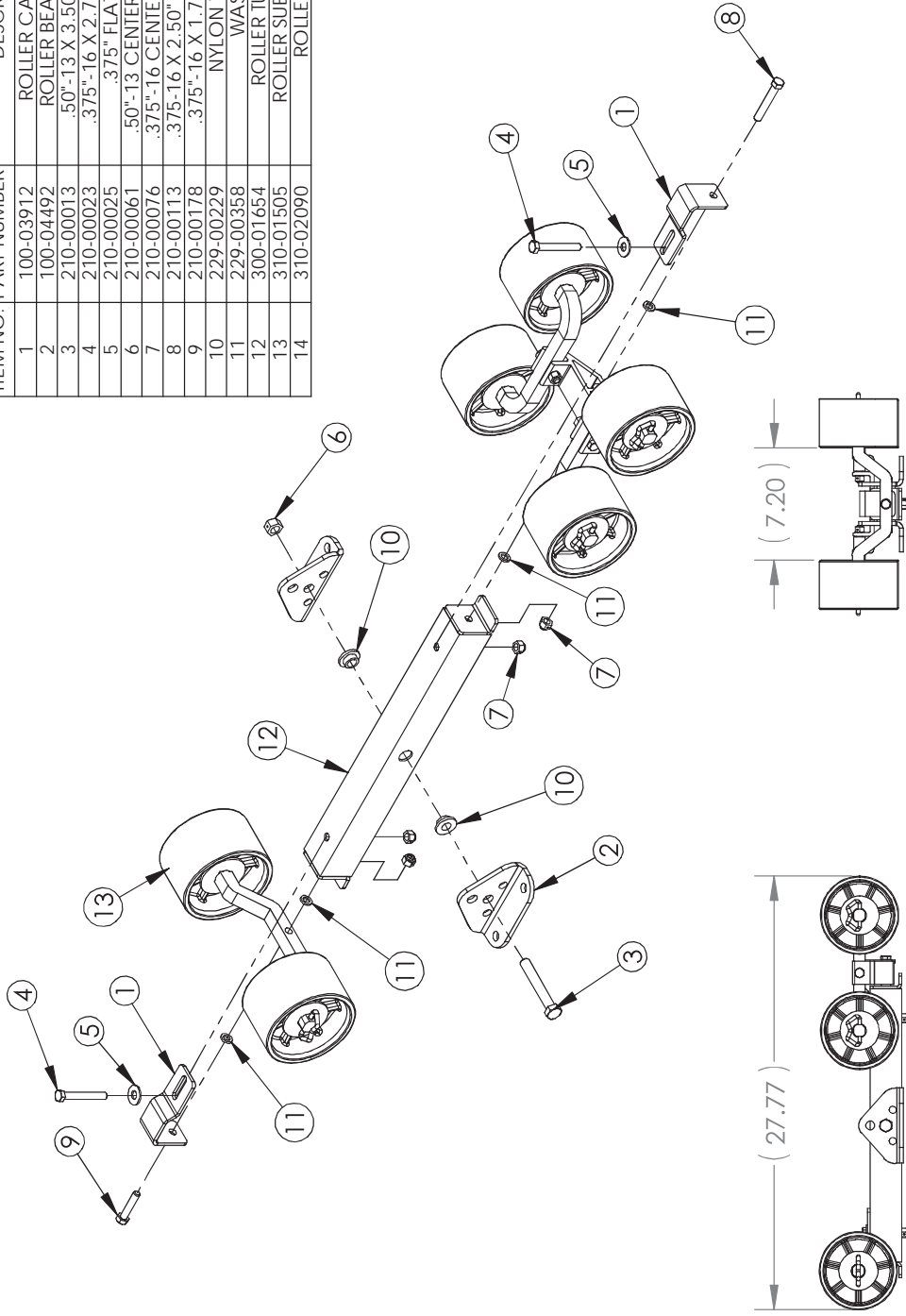


ITEM NO.	PART NUMBER	DESCRIPTION	QTY.
1	100-03912	ROLLER CAP BRACKET	2
2	100-04492	ROLLER BEAM BRACKET	2
3	210-00013	.50"-13 X 3.50" HX HD BOLT	1
4	210-00023	.375"-16 X 2.75" HX HD BOLT	2
5	210-00025	.375" FLAT WASHER	2
6	210-00061	.50"-13 CENTERLOCK HEX NUT	1
7	210-00076	.375"-16 CENTERLOCK HEX NUT	4
8	210-00113	.375-16 X 2.50" HEX HEAD BOLT	1
9	210-00178	.375"-16 X 1.75" HX HD BOLT	1
10	229-00229	NYLON WASHER	2
11	229-00358	WASHER	4
12	300-01654	ROLLER TUBE WELD	1
13	310-01505	ROLLER SUB-ASSEMBLY	1
14	310-02090	ROLLER ASSY	1



KARAVAN TRAILERS	
TITLE:	ROLLER ASSEMBLY
DRAWING BY:	LJC-MS 2/17/14-A
DATE:	04-25-12
ISSUE:	1 OF 1
SCALE:	N/A
SEE B.O.M.	
FINISH:	-BL, -GL
DWG. #:	310-03081-A

ALL DIMENSIONS ARE IN INCHES UNLESS OTHERWISE STATED. TOLERANCES EXCEPT AS NOTED:	
DECIMALS:	
X	±0.100
.XX	±0.060
.XXX	±0.030
.XXXX	±0.010
ANGLES:	±1°
ALL FORMED ANGLES EQUAL 90° UNLESS NOTED OTHERWISE	
() INDICATES REFERENCE	
DWG. REV.	DESCRIPTION
A 15300	LJW
ECR/NDR NUMBER	REVISED BY
04-25-12	DATE
DRAWING CREATED	