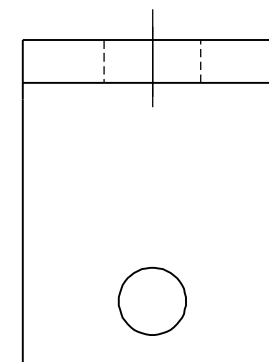
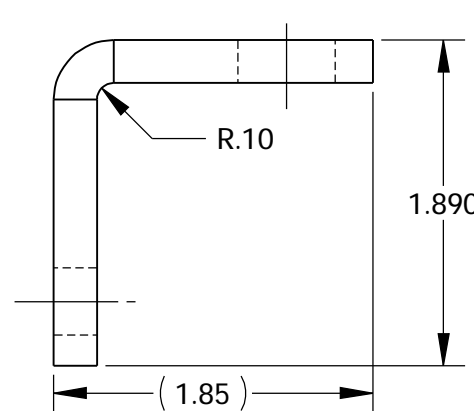


FORMED VIEWS



- NOTES:**
 1.) DIE # A - 24
 2.) .1875" X 192" FLAT YIELDS 47 PCS.

DWG. REV.	ECR/NDR NUMBER	REVISED BY	DATE	DESCRIPTION
J/2	14044	DLC	12-20-07	UPDATED DRAWING
J/1	14041	CPS	05-29-07	L-BRACKET WAS ROLLER BRACKET.

ALL DIMENSIONS ARE IN INCHES
 UNLESS OTHERWISE STATED
 TOLERANCES EXCEPT AS NOTED

DECIMALS:
 .X ±0.100
 .XX ±0.060
 .XXX ±0.030
 .XXXX ±0.010

ANGLES:
 ±1°

ALL FORMED ANGLES
 EQUAL 90° UNLESS
 NOTED OTHERWISE

() INDICATES REFERENCE

THE INFORMATION IN THIS DRAWING IS THE SOLE
 PROPERTY OF KARAVAN TRAILERS, INC. ANY
 REPRODUCTION IN PART OR WHOLE WITHOUT
 THE WRITTEN PERMISSION OF KARAVAN TRAILERS,
 INC. IS PROHIBITED.

APPROVED BY:

DRAWN BY:

DATE: 04-15-98

SHEET: 1 OF 1

SCALE: N/A

KARAVAN
TRAILERS

DIE: ROLLER BRACKET

MATERIAL: 3/16" X 1.50" H.R.P.O. FLAT

FINISH: -ZN

DWG. #: **100-00047**