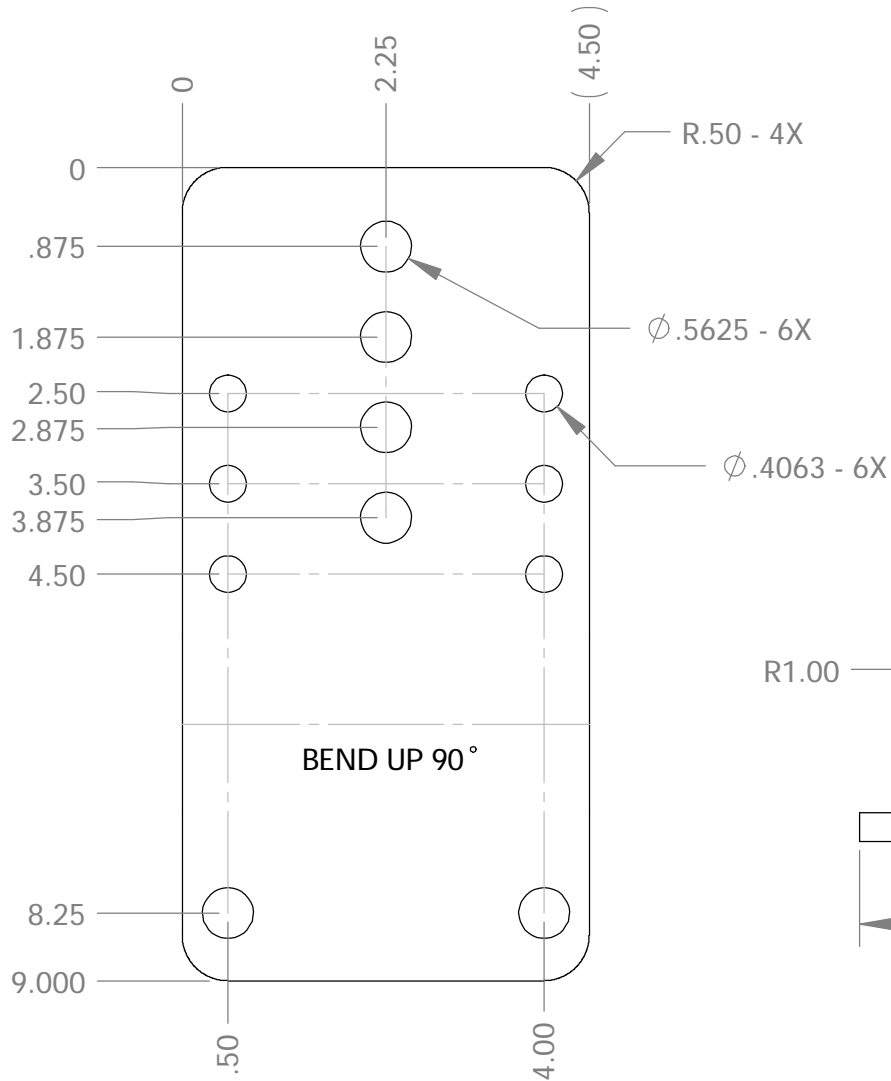
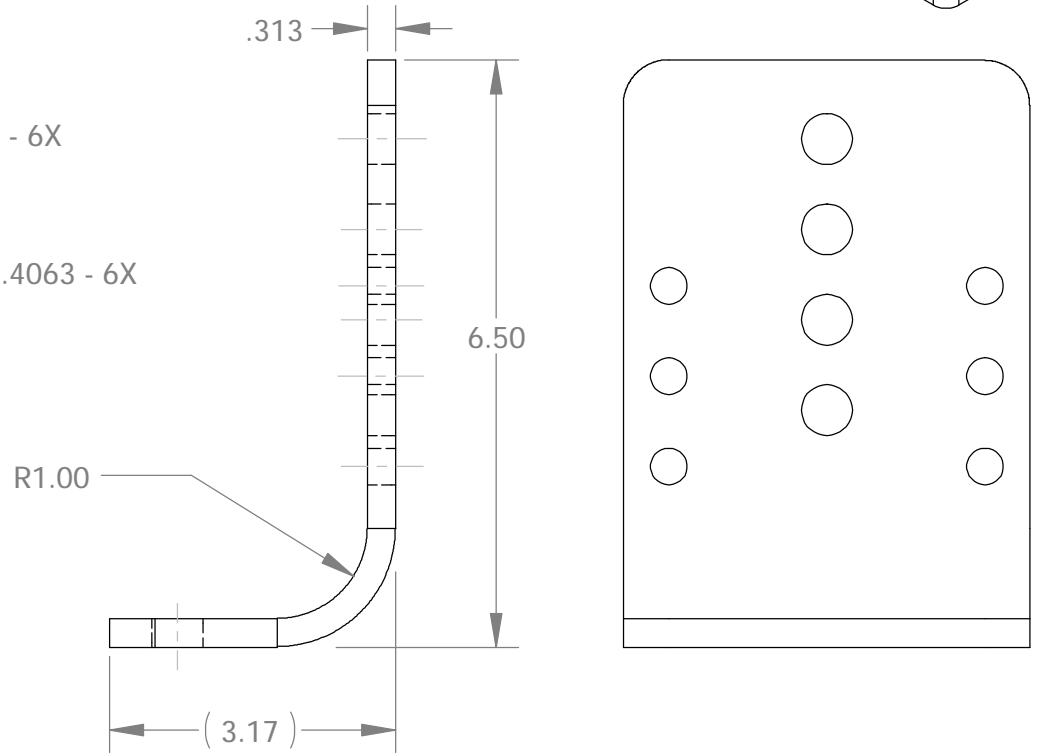


# BLANK VIEW



# FORMED VIEWS



ALL DIMENSIONS ARE IN INCHES  
UNLESS OTHERWISE STATED  
TOLERANCES EXCEPT AS NOTED  
DECIMALS:

.X ±0.100  
.XX ±0.060  
.XXX ±0.030  
.XXXX ±0.010

ANGLES:  
±1°  
ALL FORMED ANGLES  
EQUAL 90° UNLESS  
NOTED OTHERWISE

( ) INDICATES REFERENCE

THE INFORMATION IN THIS DRAWING IS THE SOLE  
PROPERTY OF KARAVAN TRAILERS, INC. ANY  
REPRODUCTION IN PART OR WHOLE WITHOUT  
THE WRITTEN PERMISSION OF KARAVAN TRAILERS,  
INC. IS PROHIBITED.

APPROVED BY:  
**C-RICHTER**

DRAWN BY:  
**MJ SCHREINER**

DATE:  
04-30-02

SHEET:  
1 OF 1

SCALE:  
N/A

**KARAVAN**

TITLE:  
BUNK SUPPORT BRACKET

MAT'L:  
.3125" H.R.P.O. SHEET

FINISH:  
-ZN, -GL

DWG. #:  
**100-01759**

A/1	13128	MH	06-26-07	ADDED -GL TO FINISH
A	12222	MJS	04-30-02	DRAWING CREATED FOR NEW PART
DWG. REV.	ECR/NDR NUMBER	REVISED BY	DATE	DESCRIPTION

## First Piece - In Process Inspection Sheet

Vendor \_\_\_\_\_

Description: **Bunk Support Bracket**

Part # **100-01759**

Rev. **A/1**

QA Approval: D. Dray

JOB# \_\_\_\_\_

Characteristic	Tol.	Method	Freq.	1st Piece	A/R	2	A/R	3	A/R	4	A/R	5	A/R	6	A/R	Last piece	A/R	Inspected By/Date:
<b>LASER</b>																		
.3125"	.303 - .321	Mic	1st/Last Piece															1 /
H.R.P.O.	NA	Visual	1st/Last Piece															2 /
9.000	± .030	Caliper	1st/Last Piece															3 /
Ø.5625 - 6X	± .010	Caliper	1st/Last Piece															4 /
Ø.4063 - 6X	± .010	Caliper	1st/Last Piece															5 /
<b>FORM</b>																		
6.50	±.060	Caliper Radius	1:100															6 /
R1.00	NA	Gage	1 st piece															7 /
<b>Inspect parts for scratches, dents, gouges, etc. No slugs left in lasered holes.</b>	NA	Visual	Every piece															