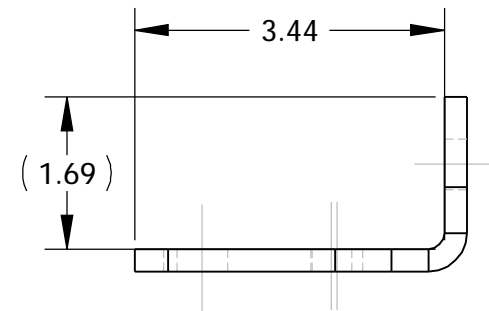
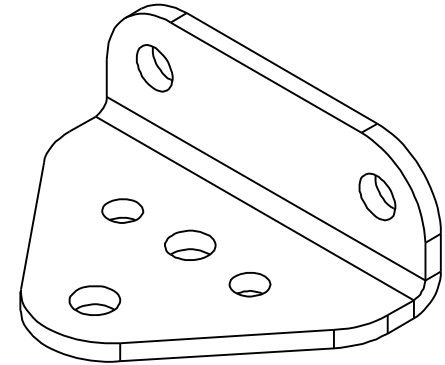
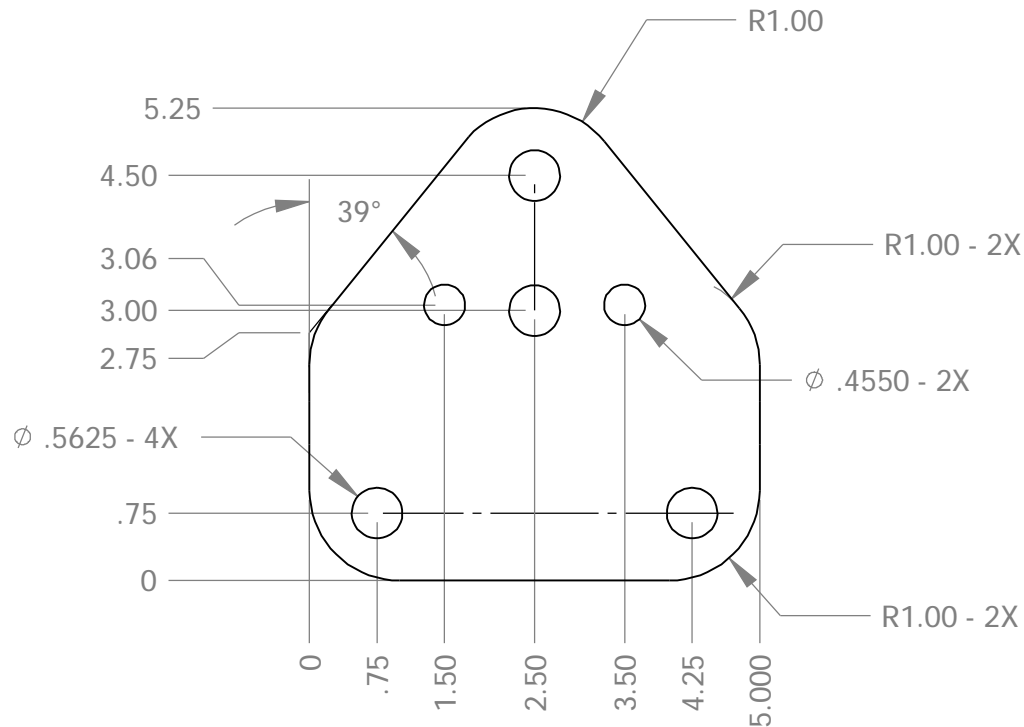


BLANK VIEW



FORMED VIEW

NOTES:

- 1.) DIE # A - 4
- 2.) SHEAR DIMENSIONS AT 5.00" X SHEET WIDTH.
(IF MAT'L. IS WARPED IT WILL NOT FIT IN THE PUNCH @10')
- 3.) TUMBLE
- 4.) 10FT. SHEET YIELDS 20 PCS.
8FT. SHEET YIELDS 16 PCS.

ALL DIMENSIONS ARE IN INCHES
UNLESS OTHERWISE STATED
TOLERANCES EXCEPT AS NOTED

DECIMALS:
.X ±0.100
.XX ±0.060
.XXX ±0.030
.XXXX ±0.010

ANGLES:
±1°
ALL FORMED ANGLES
EQUAL 90° UNLESS
NOTED OTHERWISE
() INDICATES REFERENCE

THE INFORMATION IN THIS DRAWING IS THE SOLE
PROPERTY OF KARAVAN TRAILERS, INC. ANY
REPRODUCTION IN PART OR WHOLE WITHOUT
THE WRITTEN PERMISSION OF KARAVAN TRAILERS,
INC. IS PROHIBITED.

APPROVED BY:

DRAWN BY:

DATE: 09-10-97

SHEET: 1 OF 1

SCALE: N/A



TITLE:

ROLLER BEAM BRACKET

MAT'L:

.25" H.R.P.O. SHEET

FINISH:

-ZN

DWG. #:

100-00994

DWG. REV.	ECR/NDR NUMBER	REVISED BY	DATE	DESCRIPTION
F	12332	JLS	08-23-02	MOVED THE TWO .4550 HOLES, 3.06 WAS 2.50, 1.50 WAS .75, 3.50 WAS 4.25
E	11629	MJS	07-18-00	Ø.4550 WAS Ø.4063